

 **BTNGROUP**

PERGOLA VE CAM SİSTEMLERİ SANAYİ TİCARET LİMİTED ŞİRKETİ

 **PERGOLA®**  
**TECHNOLOGY**

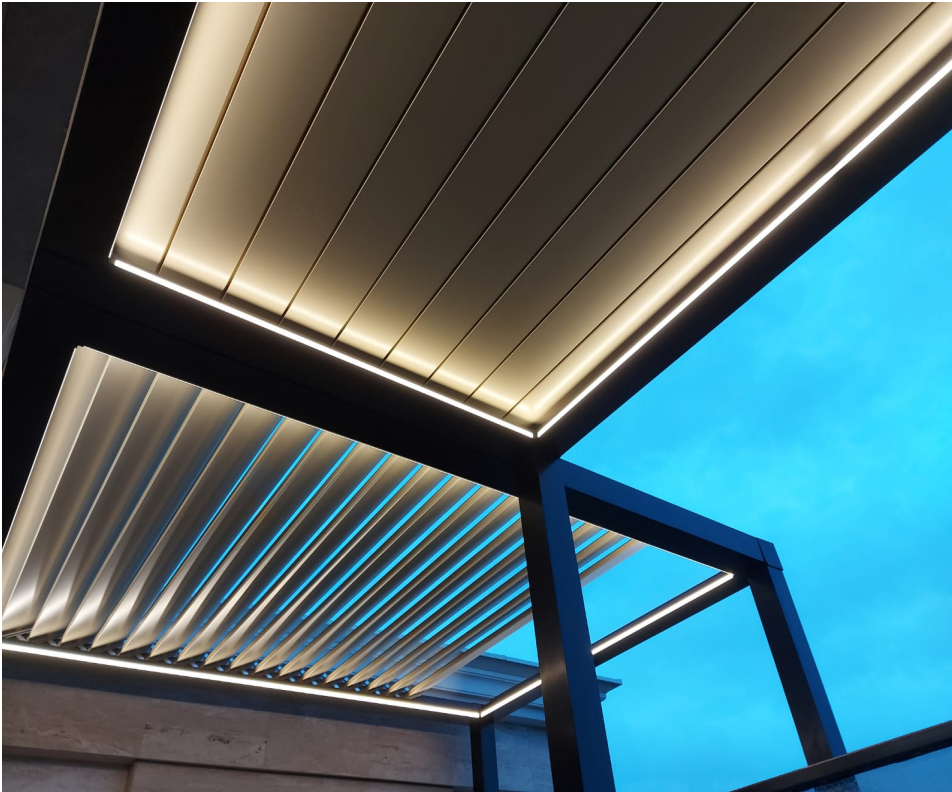
**FINANCIAL OFFER**

BIOCLIMATIC PERGOLA

**X-ROOF MODEL**

FINANCIAL OFFER

## BIOCLIMATIC PERGOLA



## DETAILS

The retractable pergola with aluminium louvres offers protection against the sun, rain, hail and snow. It can hold up to 250kg/sqm of snow. The bioclimatic pergola is perfect for any season!

The roof consists of aluminium louvres which rotate from 0° to 90°. When the louvres are closed, the water drains through the posts integrated gutter system.

The bioclimatic pergola is perfect for any terraces, as it is custom made. The structure is made from extruded aluminium and stainless steel. The wind resistance is up to 100km/h.

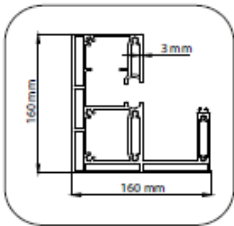
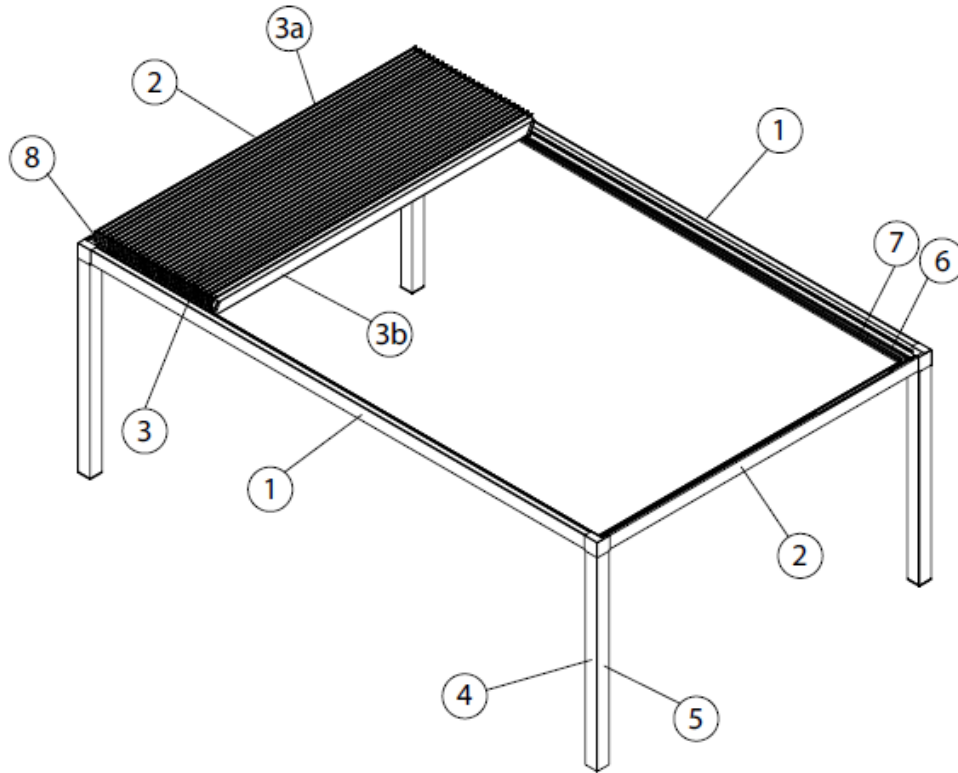
## TECHNICAL DETAILS

The maximum projection is of 800cm,  
and 450cm length.

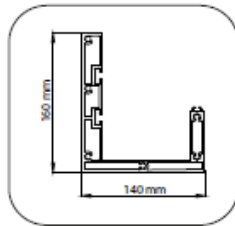
In order to cover bigger terraces,  
multiple systems are installed.

The maximum height of the system is  
300cm.

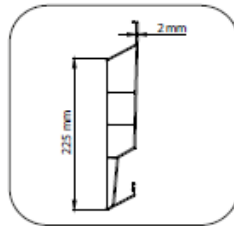




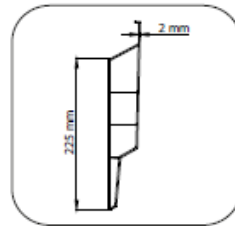
1- Rafter



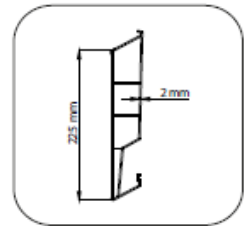
2- Gutter



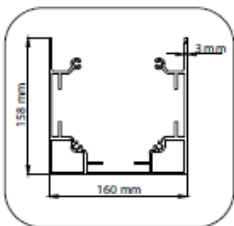
3- Louvre



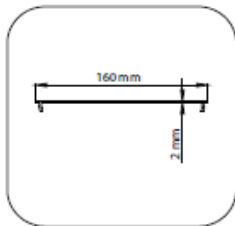
3a - Back Louvre



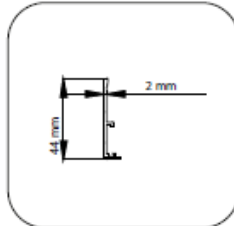
3b - Front Louvre



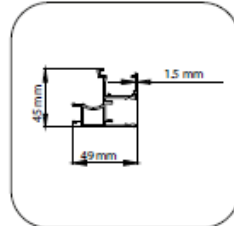
4 - Post



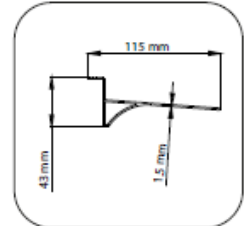
5. Post Cap



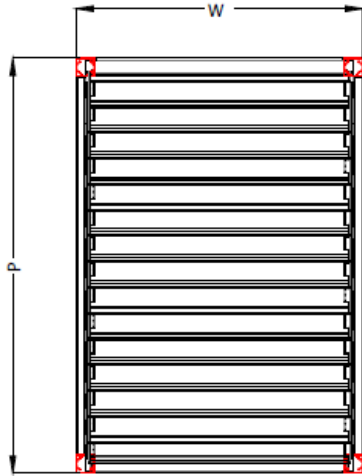
6- Lighting Adaptor  
Profile



7 - Lighting Stripe  
Profile



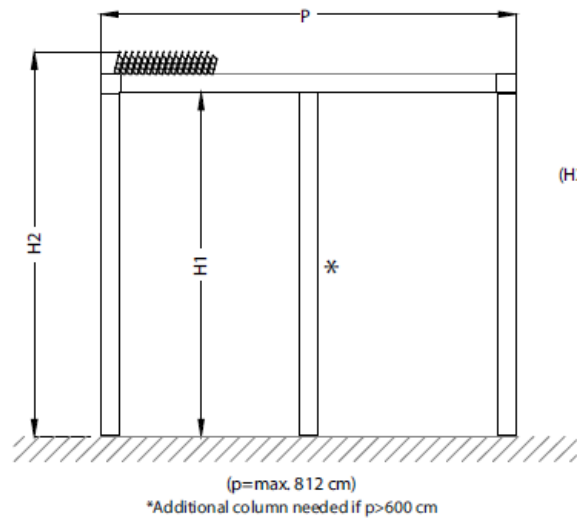
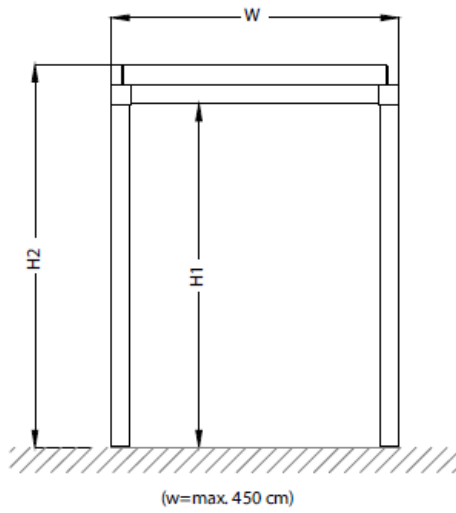
8 - Motor Cover  
Profile



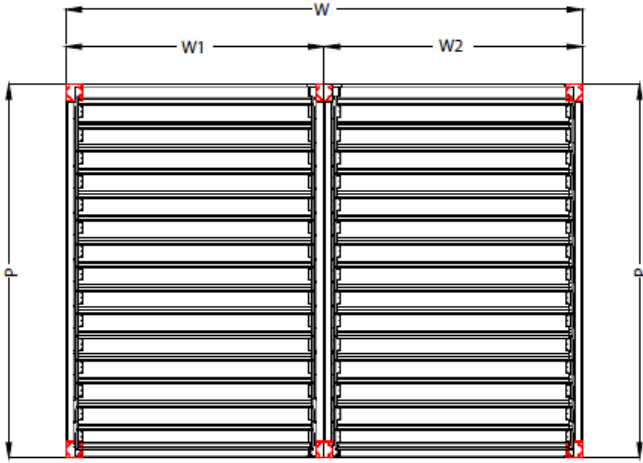
Free Standing-a

Single Module

One System (w) 100 cm > 450 cm



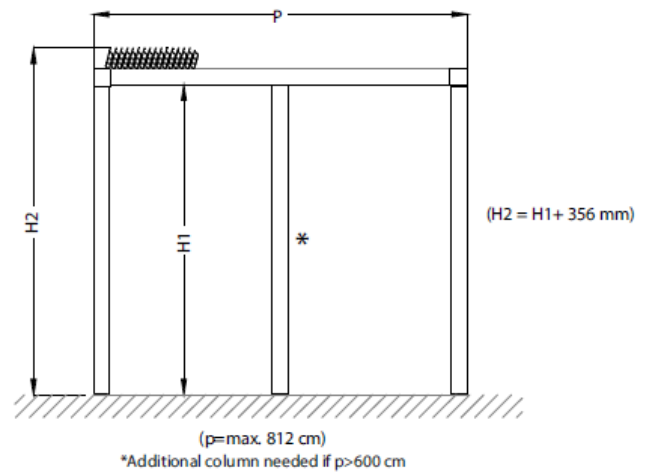
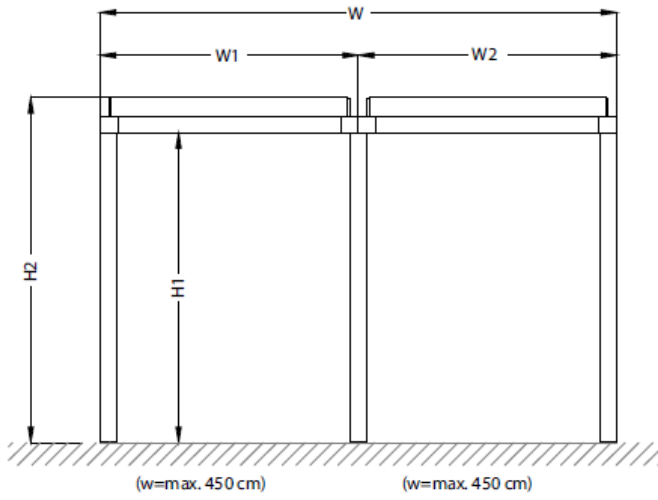
(H2 = H1 + 356 mm)

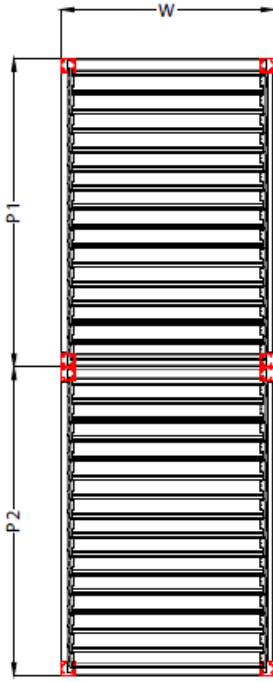


Free Standing-b

Single Module

Multiple Systems (w)

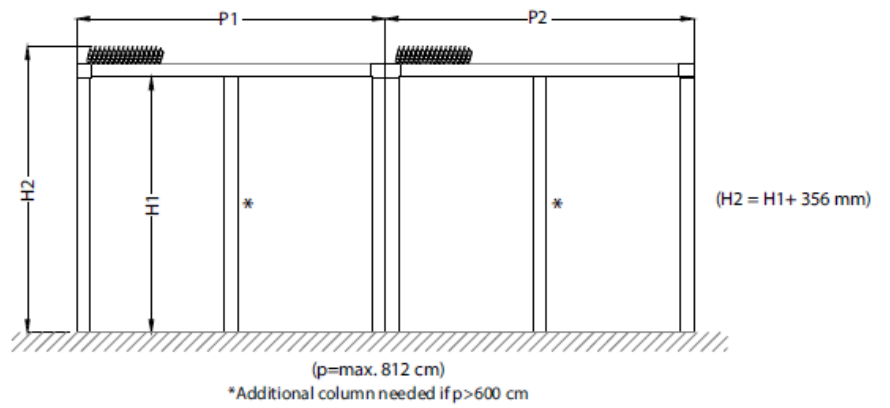
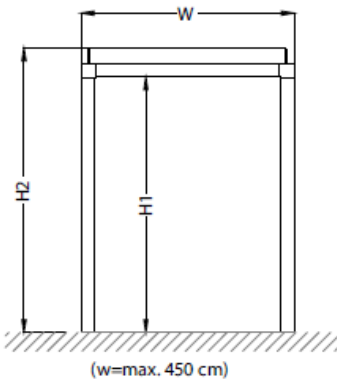


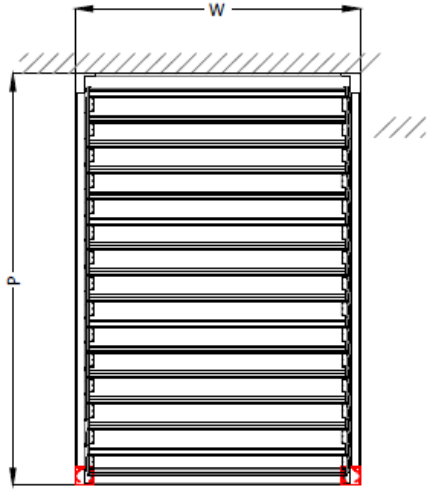


Free Standing-c

Single Module

Multiple Systems (p)

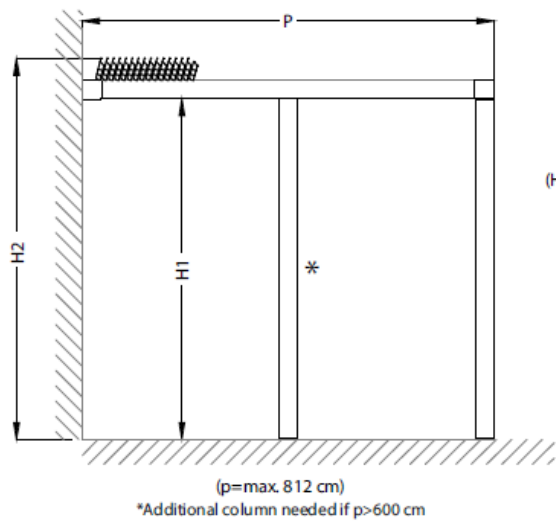
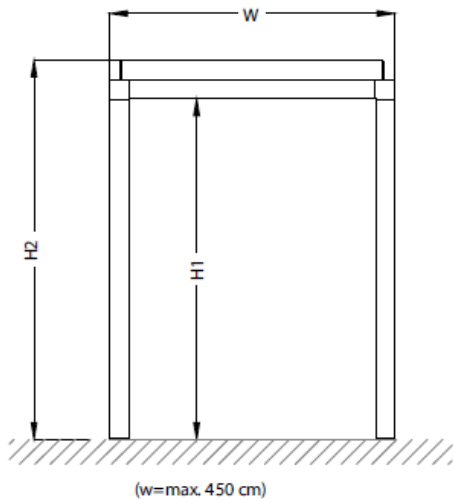


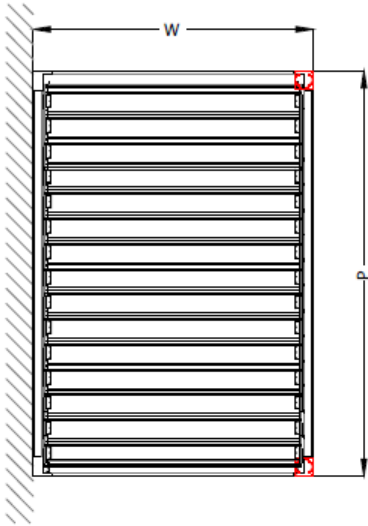


Wall Installation-a

Single Module

One System (w) 100 cm > 450 cm

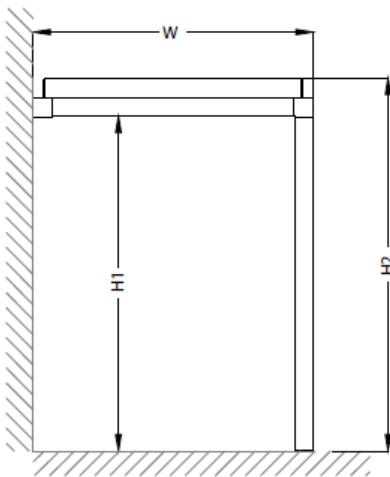




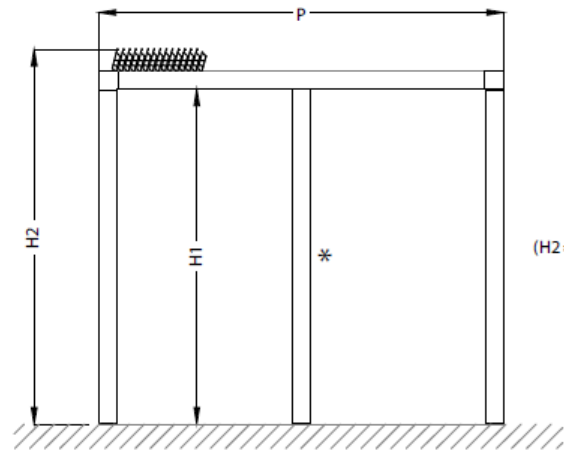
Wall Installation-b

Single Module

Multiple Systems (w) 100 cm > 450 cm



(w=max. 450 cm)



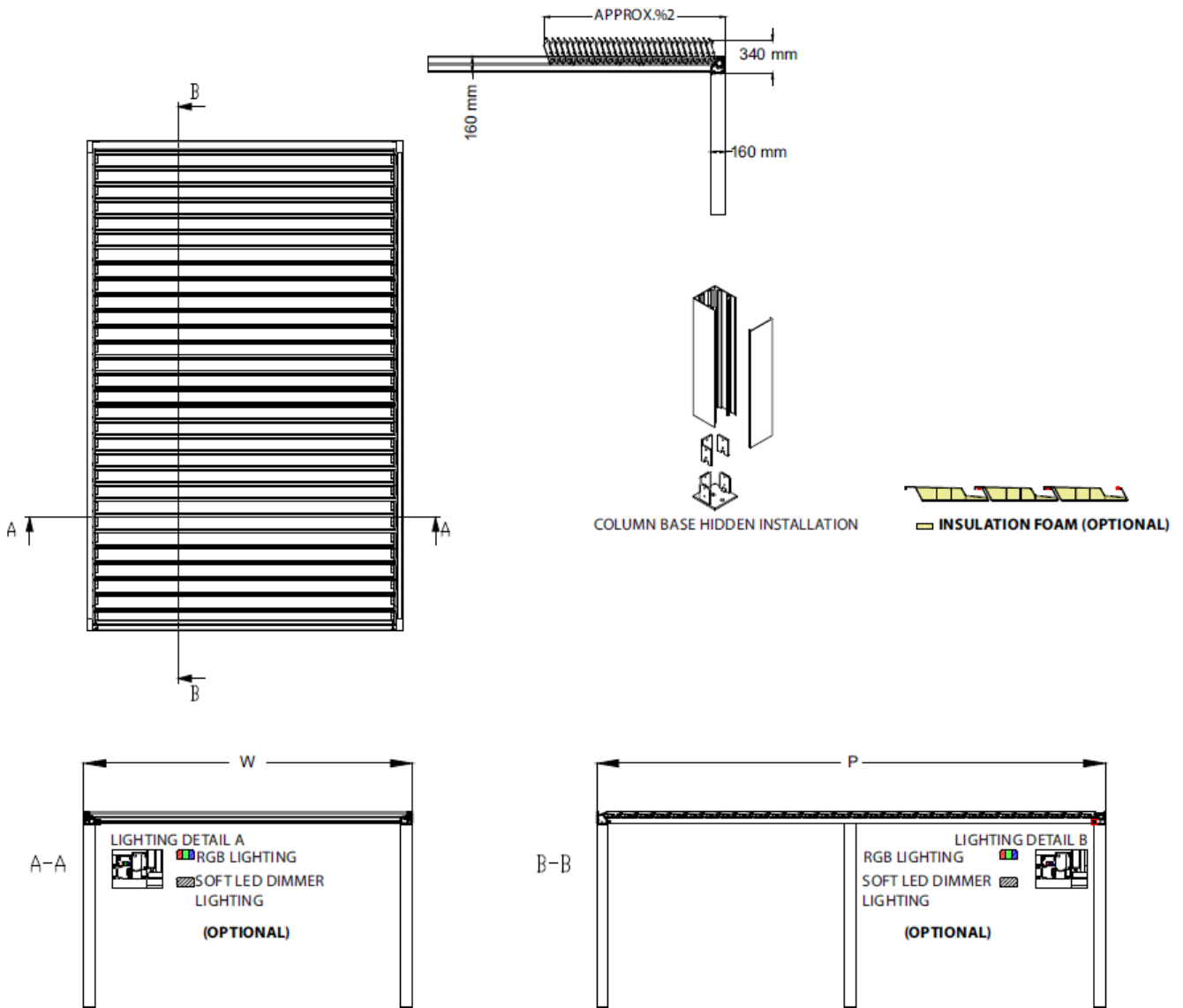
(H2 = H1 + 356 mm)

(p=max. 812 cm)

\*Additional column needed if p>600 cm



Single Module



FINANCIAL OFFER

# X-ROOF BIOCLIMATIC PERGOLA

<b>Bioclimatic pergolas</b>	<b>ESTRES KING DAVID REF.X-ROOF 6 PCS+ FIXED</b>
Recipient:	
Dimensions: 4.5m x 7.641m (1 Pcs.) 4.2m x 7.641m (2 Pcs.) 4.41m x 7.641m (1 Pcs.) 4.078m x 2.916m (1 Pcs.) 4.2m x 2.916m (1 Pcs.)	
System with soft LED lighting Dimmer	YES
Motorization with remote control	<b>Somfy</b>
<b>Price</b>	
COLUMN DEDUCTION -37 PCS	
FIXED SYSTEM-1 WITHOUT COLUMN WITH SOFT LED LIGHTING DIMMER SYSTEM 3036MMX3433MM	
FIXED SYSTEM-1 WITHOUT COLUMN WITH SOFT LED LIGHTING DIMMER SYSTEM 3527MMX4945MM	
FIXED SYSTEM-1 WITHOUT COLUMN WITH SOFT LED LIGHTING DIMMER SYSTEM 3630MMX4945MM	
FIXED SYSTEM-1 WITHOUT COLUMN WITH SOFT LED LIGHTING DIMMER SYSTEM 4500MMX2949MM	
<b>Price without VAT</b>	
<b>Discount (%)</b>	
<b>Price</b>	

The prices are in EURO.

Delivery date: 30 days after the advance payment.

Method of payment: 50% at confirmation of the order. 50% before shipping.

5 years warranty.